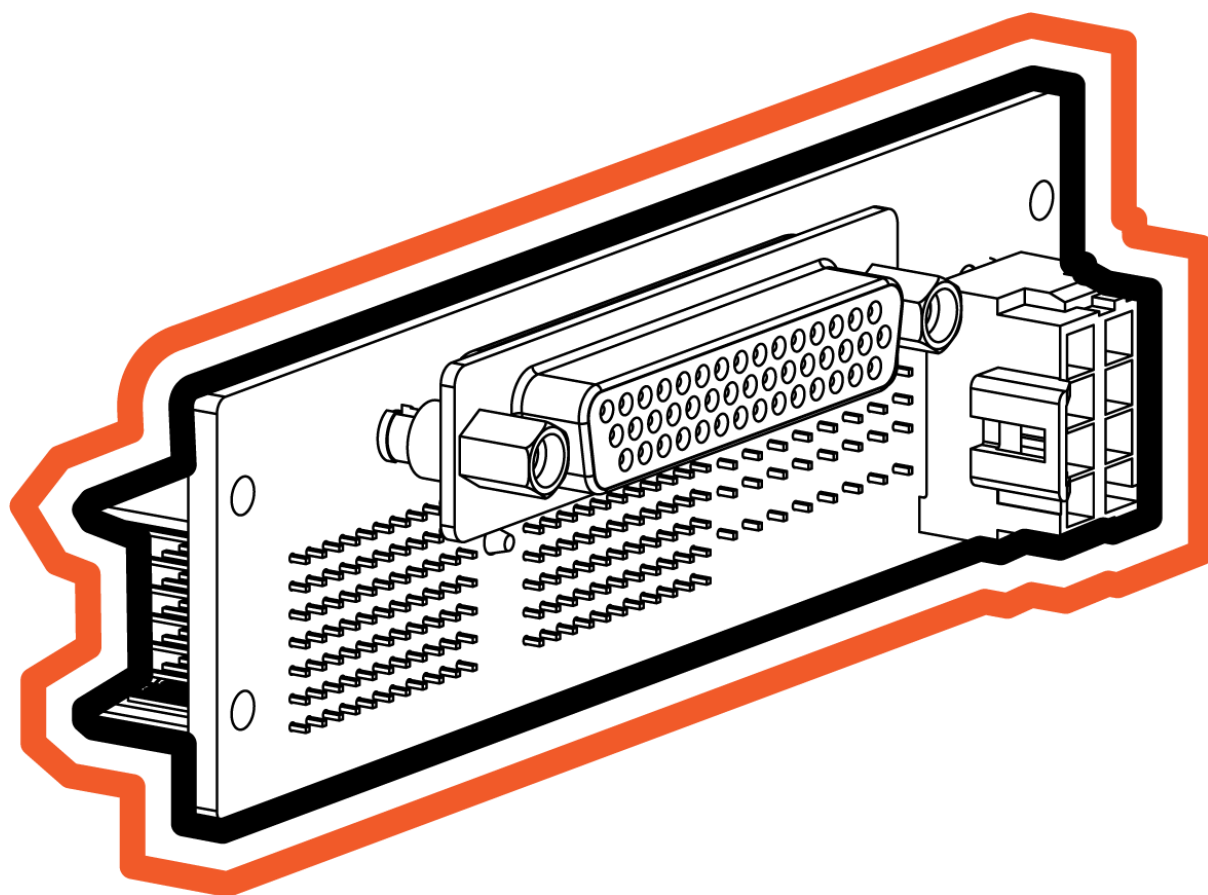


DE9901 DATASHEET

SLSC RTI MODULE DSUB44



 **DEICO**

Contents

DESCRIPTION.....	1
HARDWARE OVERVIEW	1
Hardware Specifications	1
Electrical.....	1
Physical.....	1
Environmental.....	1
SIGNAL CONNECTIONS.....	2
XP2 Connector Pinout	2
XP3 Connector Pinout	3
JR1 Connector Pinout.....	3
JR2 Connector Pinout.....	4
CONFIGURATION.....	4

DESCRIPTION

DE9901 SLSC RTI Module DSUB44 is a rear transition interface which carries signals from SLSC form factor to a DSUB44 connector and a power header in order to allow harness process. It covers only Bank1 signal transitions. It also contains strain relief accessories to protect cable from bending.

Areas of application include:

- ⇒ HIL Testing
- ⇒ Signal Transition

HARDWARE OVERVIEW

Hardware Specifications

Electrical

Specification	Minimum	Typical	Maximum
Number of Power Transitions	—	8	—
Number of Signal Transitions	—	32	—
Carried Voltage @ DSUB44	—	—	220V
Carried Current @ DSUB44	—	—	2A
Carried Voltage @ Power Header	—	—	250V
Carried Current @ Power Header	—	—	14A

Physical

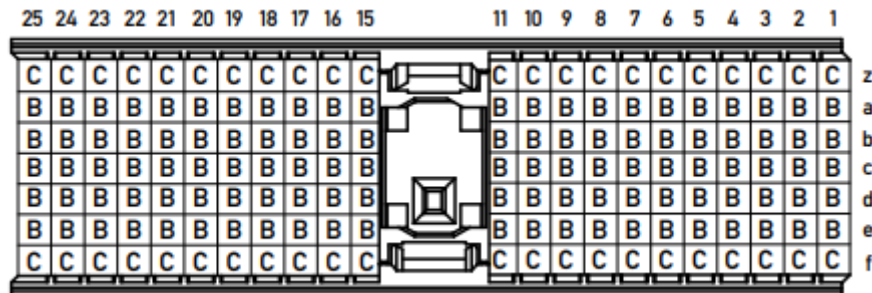
Specification	Typical	Notes
Dimensions	101.86mm x 30.22mm	SLSC Standard Dimensions
DSUB44 Connector	HD44F	MPN: 09563517513
Power Header	HEADER	MPN: 1722991108

Environmental

Specification	Condition	Value
Operating Humidity	Relative, non-condensing	10% - 90%
Storage Humidity	Relative, non-condensing	5% - 95%
Operating Temperature	Forced-air cooling from chassis	0°C - 40°C
Storage Temperature	Non-operational	-40°C - 85°C

SIGNAL CONNECTIONS

XP2 Connector Pinout



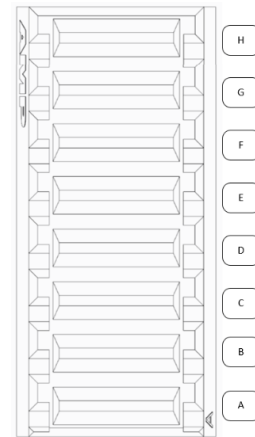
XP2 Connector Pin Assignments

Row	z	a	b	c	d	e	f
1	GND	P0.0+	P0.0-	-	P0.1+	P0.1-	GND
2	GND	P0.2+	P0.2-	-	P0.3+	P0.3-	GND
3	GND	GND	GND	GND	GND	GND	GND
4	GND	P1.0+	P1.0-	-	P1.1+	P1.1-	GND
5	GND	P1.2+	P1.2-	-	P1.3+	P1.3-	GND
6	GND	GND	GND	GND	GND	GND	GND
7	GND	P2.0+	P2.0-	-	P2.1+	P2.1-	GND
8	GND	P2.2+	P2.2-	-	P2.3+	P2.3-	GND
9	GND	GND	GND	GND	GND	GND	GND
10	GND	P3.0+	P3.0-	-	P3.1+	P3.1-	GND
11	GND	P3.2+	P3.2-	-	P3.3+	P3.3-	GND
15	GND	-	-	-	-	-	GND
16	GND	-	-	-	-	-	GND
17	GND	GND	GND	GND	GND	GND	GND
18	GND	-	-	-	-	-	GND
19	GND	-	-	-	-	-	GND
20	GND	GND	GND	GND	GND	GND	GND
21	GND	-	-	-	-	-	GND
22	GND	-	-	-	-	-	GND
23	GND	GND	GND	GND	GND	GND	GND
24	GND	-	-	-	-	-	GND
25	GND	-	-	-	-	-	GND

XP3 Connector Pinout

XP3 Connector Pin Assignments

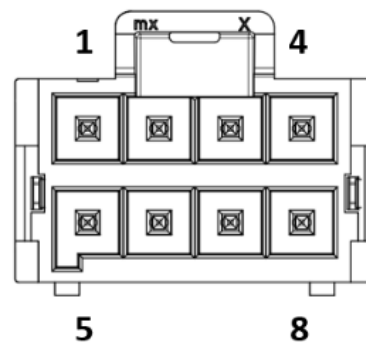
Pins	Signal
A	FAULTD
B	FAULTC
C	FAULTB
D	FAULTA
E	INST1-
F	INST1+
G	INST0-
H	INST0+



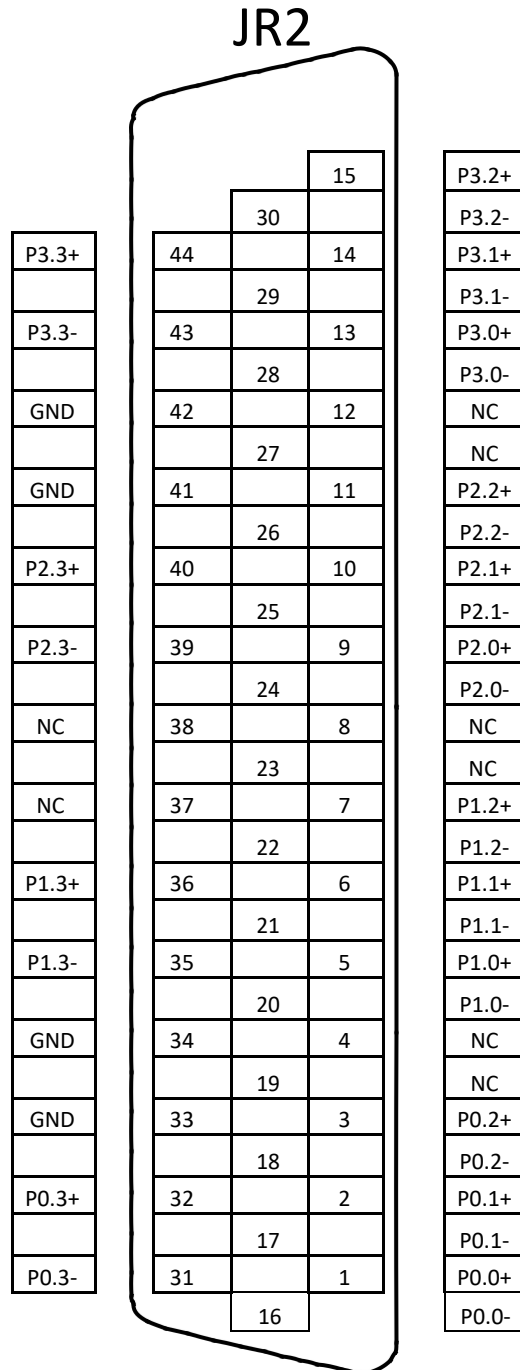
JR1 Connector Pinout

JR1 Connector Pin Assignments

Pins	Signal
1	FAULTD
5	FAULTC
2	FAULTB
6	FAULTA
3	INST1-
7	INST1+
4	INST0-
8	INST0+



JR2 Connector Pinout



CONFIGURATION



Caution Do not operate the DE9901 in a manner not specified in this document. Product misuse can result in a hazard. You can compromise the safety protection built into the product if the product is damaged in any way. If the product is damaged, return it for repair.



Contact

DEICO Head Office

Teknopark Ankara, Serhat Mah.,
2224 Cad., No:1 F Blok, Z-12,
Yenimahalle, Ankara, Türkiye

support@deico.com.tr

+90 312 395 68 44



www.deico.com.tr

